

GO REGULATOR, INC.

Cylinder Regulators

Index

Safety Warning	Inside Front Cover
CC2 Series	1
CYL-1 Series	3
CYL-2 Series	5
CYL-3 Series	7
CYL-20 Series	9
CYL-21 Series	11
COM-1 Series	13
COM-2B Series	15
COM-2P Series	17
Porting Configurations	19
Disclaimers	Inside Back Cover



pressure regulators



CRANE Instrumentation & Sampling, Go Regulator
PO Box 4866 • Spartanburg, SC 29305-4866
(864) 574-7966 • www.goreg.com

For Your Safety

It is solely the responsibility of the system designer and user to select products suitable for their specific application requirements and to ensure proper installation, operation, and maintenance of these products. When selecting products, the total system design must be considered to ensure safe, trouble-free performance. Material compatibility, product ratings and application details should be considered in the selection. Improper selection or use of products described herein can cause personal injury or property damage.

Contact your authorized GO Regulator sales and service representative for information about additional sizes and special alloys.

SAFETY WARNING:

GO Regulator products are designed for installation only by professional suitably qualified licensed system installers experienced in the applications and environments for which the products are intended. These products are intended for integration into a system. Where these products are to be used with flammable or hazardous media, precautions must be taken by the system designer and installer to ensure the safety of persons and property. Flammable or hazardous media pose risks associated with fire or explosion, as well as burning, poisoning or other injury or death to persons and/or destruction of property. The system designer and installer must provide for the capture and control of such substances from any vents in the product(s). The system installer must not permit any leakage or uncontrolled escape of hazardous or flammable substances. The system operator must be trained to follow appropriate precautions and must inspect and maintain the system and its components including the product(s) and at regular intervals in accordance with timescales recommended by the supplier to prevent unacceptable wear or failure.

CC2 Series

Compact Two-stage Cylinder Pressure Regulator



The CC2 Series compact two-stage precision pressure regulator is well suited for instrumentation applications requiring a precise and stable delivery pressure. This regulator was originally designed to meet the needs of the instrumentation industry; however, it would also be very useful in many other applications that require a compact two-stage pressure regulator to supply a precise delivery pressure with fluctuating supply pressures.

Another benefit of using the CC2 Series is that internally, it shares some of its design features and options with the time proven CPR-1 Series pressure regulator. These features and options allow the customer to essentially tailor this regulator to accommodate virtually any application requiring low to moderate flow rates. The unit will also be offered with inlet/outlet pressure gauges, CGA connections and relief valves.

The CC2 Series regulator is manufactured in 316L stainless steel as a standard option. Please consult GO Regulator for any optional materials of construction that might be required for toxic or corrosive process gas applications.

Features & Specifications

- Compact size
- Two-stage regulation
- Stainless steel diaphragm
- Gas or liquid service
- Low internal volumes
- Maximum inlet pressure up to 3600 psig
- Outlet pressure ranges: 0–10 psig, 0–25 psig, 0–50 psig, 0–100 psig, 0–250 psig and 0–500 psig
- Cv flow coefficients: 0.06, 0.025, 0.2
- Leak rate, bubble-tight
- Operating temperatures: –40° F to +175° F (–40° C to +80° C)
- Inlet/outlet connections: 1/8" FNPT

pressure regulators

CC2 Series

To Order, contact your local Distributor Link below:
www.goreg.com/distributor/index.htm

Verify that your chosen part number is valid using the GO Wizards at
www.goreg.com/products/matrix/index.htm

How to Order

Standard items in bold

CC - 3 F O C 1 1 1 1 CGA Fitting **0 0 0** **1 A 3 A 3 A**

BODY MATERIAL

- 1** 316L stainless steel
- 2 Brass
- 3 Aluminum

PORT CONFIGURATIONS

- F** Standard
- For more port configurations, see page 19.

PROCESS PORT TYPES

(GAUGE PORT TYPE, IF NECESSARY)

- 0** 1/8" FNPT (1/8" FNPT gauge ports)

OUTPUT RANGE

- C** 0-10 psig
- D** 0-25 psig
- E** 0-50 psig
- G** 0-100 psig
- I** 0-250 psig
- J** 0-500 psig

DIAPHRAGM TYPE, 1ST STAGE

- 1** Standard

DIAPHRAGM TYPE, 2ND STAGE

- 1** Standard

CAP ASSEMBLY, 1ST STAGE

- 1** Tamper-proof, aluminum
- 4 Tamper-proof, panel mount, aluminum
- 5 Tamper-proof, captured vent, aluminum

OPTIONS

- A** EB33 (oxygen cleaning)
- B** EB5 cleaning
- D** Helium leak test
- E** Pressure test certificate
- F** Certificate of Conformity
- G** CMTR

2ND STAGE Cv FLOW

- 3** 0.06
- 5** 0.2
- C** 0.025

2ND STAGE SEAT MATERIAL

- A** Tefzel®
- B** Ceramic Filled PTFE
- H** PCTFE
- Q** PEEK™

1ST STAGE Cv FLOW

- 3** 0.06
- 5** 0.2
- C** 0.025

1ST STAGE SEAT MATERIAL

- A** Tefzel®
- B** Ceramic Filled PTFE
- H** PCTFE
- Q** PEEK™

GAUGES

- 1** Include gauges
- 2** Omit gauges
- 3** Customer-supplied, to be factory installed

CGA FITTING

Use '000' to omit CGA
 Use 'CUS' for customer-supplied CGA, to be factory installed

CAP ASSEMBLY, 2ND STAGE

- 1** Standard, aluminum
- 4 Panel mount, aluminum
- 5 Captured vent, aluminum
- 7 Captured vent, stainless steel
- 8 Tamper-proof, aluminum
- 9 Fine adjust, 1/2" panel mount, aluminum
- 0 Fine adjust, 1 3/8" panel mount, aluminum
- D** Captured vent, tamper-proof, stainless steel

Maximum Temperature & Operating Inlet Pressures

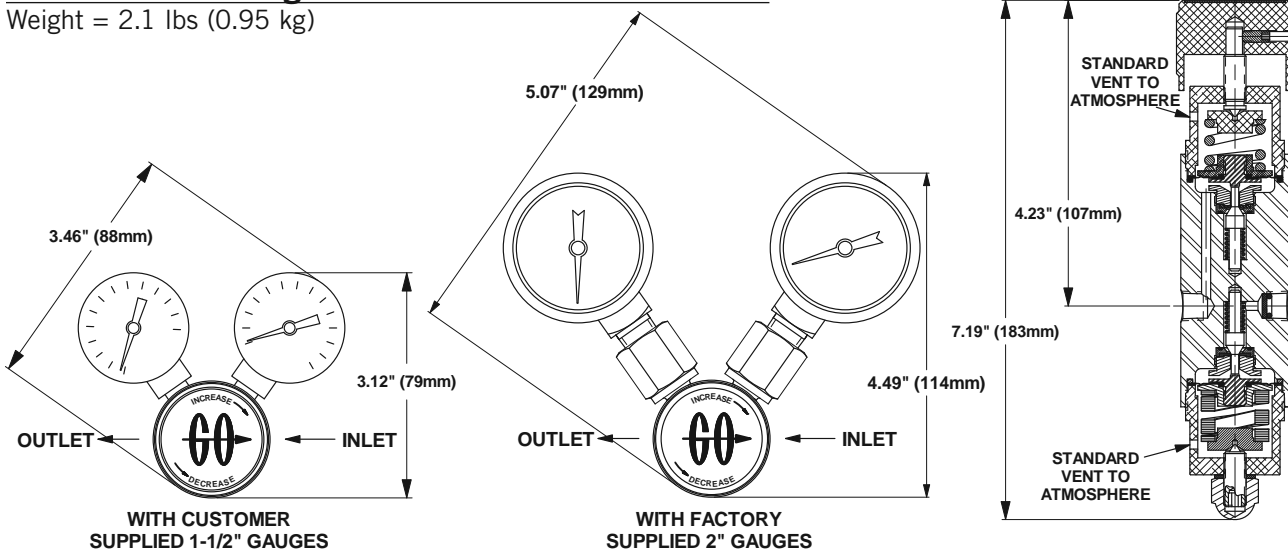
SEAT MATERIAL	MAXIMUM TEMPERATURE		MAXIMUM OPERATING INLET PRESSURE
Tefzel®	150° F (66° C)	@	3600 psig (24.82 MPa)
Ceramic Filled PTFE	175° F (80° C)	@	3600 psig (24.82 MPa)
PEEK™	175° F (80° C)	@	3600 psig (24.82 MPa)
PCTFE	175° F (80° C)	@	3600 psig (24.82 MPa)

NOTE: Contact the factory for any additional requirements.

Tefzel® is a registered trademark of the DuPont Company.
 PEEK™ is a trademark of Victrex PLC.

Outline & Mounting Dimensions

Weight = 2.1 lbs (0.95 kg)



CYL-1 Series

Single Stage Brass Cylinder; Gas Pressure Reducing Regulator



(Shown with optional outlet valve)

The CYL-1 Series is designed as a complete compact pressure control module. The basis of this unit is the economical PR-2 Series pressure control valve which is widely used in instrumentation sample systems as well as many other applications requiring maximum reliability. This regulator, when ordered with appropriate gauges and CGA inlet fitting, is designed for use as a compressed gas cylinder regulator for those applications where the corrosion resistance of stainless steel is not a requirement.

Features & Specifications

- CGA inlet fitting
- Integral inlet filter
- 2" diameter brass gauges
- PTFE-lined stainless steel diaphragm
- Maximum inlet pressure: 3600 psig
- Outlet pressure ranges: 0–10 psig, 0–25 psig, 0–50 psig, 0–100 psig, 0–250, 0–500 and 0–750 psig
- Fluid media; non-corrosive gases
- Operating temperatures: –40° F to +175° F (–40° C to +80° C)
- Cv flow coefficients: 0.025, 0.06, 0.20 and 0.5

pressure regulators

CYL-1 Series

To Order, contact your local Distributor Link below:
www.goreg.com/distributor/index.htm

Verify that your chosen part number is valid using the GO Wizards at
www.goreg.com/products/matrix/index.htm

How to Order

Standard items in bold

C1 - 2 F 1 1 A 3 C 1 *CGA Fitting* **0 0 0** **1 A**

BODY MATERIAL
2 Brass

PORT CONFIGURATION
F Standard
 For more port configurations, see page 20.

PROCESS PORT TYPES (GAUGE PORT TYPES, IF SPECIFIED)
1 1/4" FNPT (1/4" FNPT gauge ports)
4 3/8" FNPT (1/4" FNPT gauge ports)

DIAPHRAGM TYPE
1 Standard diaphragm
3 Self-relieving
8 Tefzel® ring/stainless steel

SEAT MATERIAL
A Tefzel®
B Ceramic Filled PTFE
H PCTFE
Q PEEK™

OPTIONS
A EB33 (oxygen cleaning)
B EB5 cleaning
D Helium leak test
E Pressure test certificate
F Certificate of Conformity
G CMTR

GAUGES
1 Include gauges
2 Omit gauges
3 Customer-supplied, to be factory installed

CGA FITTING
 Use '000' to omit CGA
 Use 'CUS' for customer-supplied CGA, to be factory installed

CAP ASSEMBLY
1 Standard, stainless steel
4 Panel mount, stainless steel
7 Captured vent, stainless steel
8 Tamper proof, stainless steel

OUTPUT RANGE
C 0-10 psig
D 0-25 psig
E 0-50 psig
G 0-100 psig
I 0-250 psig
J 0-500 psig
W 0-750 psig

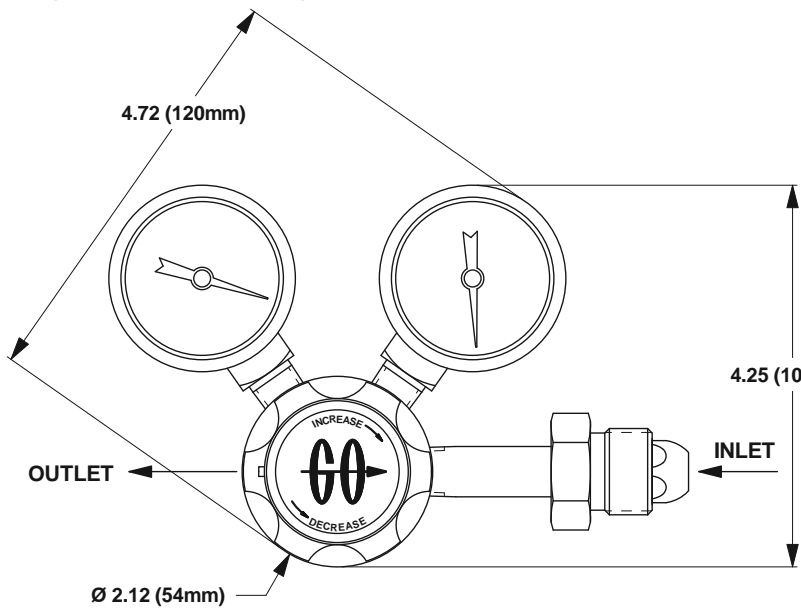
FLOW COEFFICIENT (Cv)
3 0.06
5 0.2
C 0.025
H 0.5

Maximum Temperature & Operating Inlet Pressures

SEAT MATERIAL	MAXIMUM TEMPERATURE	MAXIMUM OPERATING INLET PRESSURE
Tefzel®	150° F (66° C)	@ 3600 psig (24.82 MPa)
PCTFE	175° F (80° C)	@ 3600 psig (24.82 MPa)
PEEK™	175° F (80° C)	@ 3600 psig (24.82 MPa)
Ceramic Filled PTFE	175° F (80° C)	@ 3600 psig (24.82 MPa)

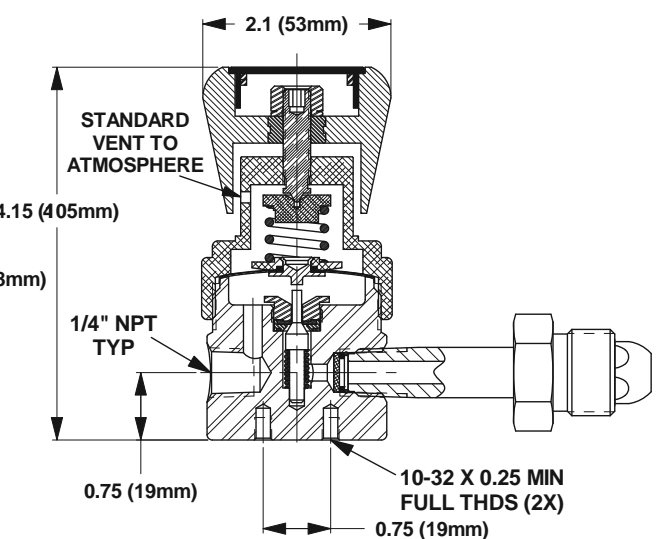
Outline & Mounting Dimensions

Weight = 1.9 lbs (0.86 kg)



NOTE: Contact the factory for any additional requirements.

Tefzel® is a registered trademark of the DuPont Company.
 PEEK™ is a trademark of Victrex PLC.



CYL-2 Series

Two-stage Brass Cylinder Gas Pressure Reducing Regulator



The CYL-2 Series is a precision two-stage regulator well suited for instrumentation applications requiring a precise and stable pressure source. This pressure regulator was developed to meet the needs of the instrumentation industry, but is also well suited for other applications requiring precision pressure supply.

The development of this series provides the maximum flexibility that is available in any cylinder regulator.

Features & Specifications

- Brass construction
- 1st stage integral 20 micron filter and 2nd stage integral 40 micron filter
- PTFE-lined stainless steel diaphragm in both stages
- Tefzel® seats are standard
- 2" diameter brass gauges
- CGA inlet fitting
- Stainless steel caps
- Optional relief valves and shut off valves
- Maximum inlet pressure: 3600 psig
- Outlet pressure ranges 0–10 psig, 0–25 psig, 0–50 psig, 0–100 psig, 0–250 psig and 0–500 psig
- Fluid media; non-corrosive gases
- Cv flow coefficients: 0.06, 0.025, 0.20, 0.50
- Operating temperatures: –40° F to +175° F (–40° C to +80° C)
- ¼" FNPT inlet/outlet connections standard

pressure regulators

CYL-2 Series

To Order, contact your local Distributor Link below:
www.goreg.com/distributor/index.htm

Verify that your chosen part number is valid using the GO Wizards at
www.goreg.com/products/matrix/index.htm

How to Order

Standard items in bold

C2-2 F 1 C 1 1 1 1 CGA Fitting **1 A 3 A 3 A**

0 0 0

BODY MATERIAL

- 2** Brass
- 8 Chrome-plated brass

PORT CONFIGURATION

- F** Standard

For more port configurations, see page 19.

PROCESS PORT TYPES (GAUGE PORT TYPE, IF SPECIFIED)

- 1** 1/4" FNPT (1/4" FNPT gauge ports)
- 4 3/8" FNPT (1/4" FNPT gauge ports)

OUTPUT RANGE

- C** 0-10 psig
- D** 0-25 psig
- E** 0-50 psig
- G** 0-100 psig
- I** 0-250 psig
- J** 0-500 psig

DIAPHRAGM TYPE, 1ST STAGE

- 1** Standard diaphragm
- 8 Tefzel® ring/stainless steel
- 7 Liquid service

DIAPHRAGM TYPE, 2ND STAGE

- 1** Standard diaphragm
- 3 Self-relieving
- 8 Tefzel® ring/stainless steel
- 7 Liquid service

CAP ASSEMBLY, 1ST STAGE

- 1** Tamper proof, standard, stainless steel
- 4 Tamper proof, panel mount, stainless steel
- 7 Tamper proof, captured vent, stainless steel

OPTIONS

- A** EB33 (oxygen cleaning)
- B** EB5 cleaning
- D** Helium leak test
- E** Pressure test certificate
- F** Certificate of Conformity
- G** CMTR

2ND STAGE Cv FLOW

- 3** **0.06**
- 5** 0.2
- C** 0.025
- H** 0.5

2ND STAGE SEAT MATERIAL

- A** Tefzel®
- B** Ceramic Filled PTFE
- H** PCTFE
- Q** PEEK™, low temperature service, plastic knob

1ST STAGE Cv FLOW

- 3** **0.06**
- 5** 0.2
- C** 0.025
- H** 0.5

1ST STAGE SEAT MATERIAL

- A** Tefzel®
- B** Ceramic Filled PTFE
- H** PCTFE
- Q** PEEK™

GAUGES

- 1** Include gauges
- 2** Omit gauges
- 3** Customer-supplied, to be factory installed

CGA FITTINGS

- Use '000' to omit CGA
- Use 'CUS' for customer-supplied CGA, to be factory installed

CAP ASSEMBLY, 2ND STAGE

- 1** **Standard, stainless steel**
- 4** Panel mount, stainless steel
- 7** Captured vent, stainless steel
- 8** Tamper proof, stainless steel

Maximum Temperature & Operating Inlet Pressures

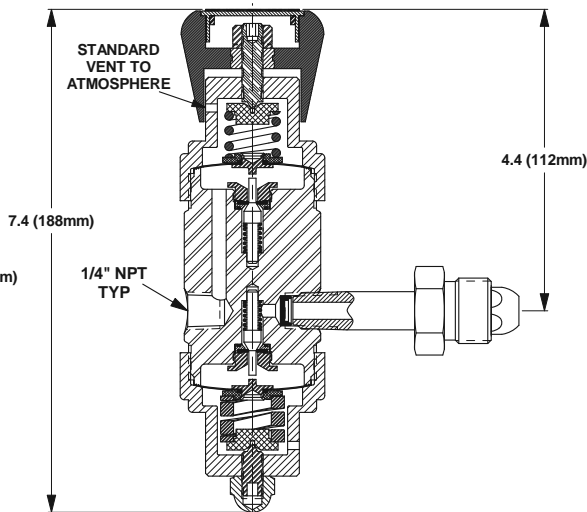
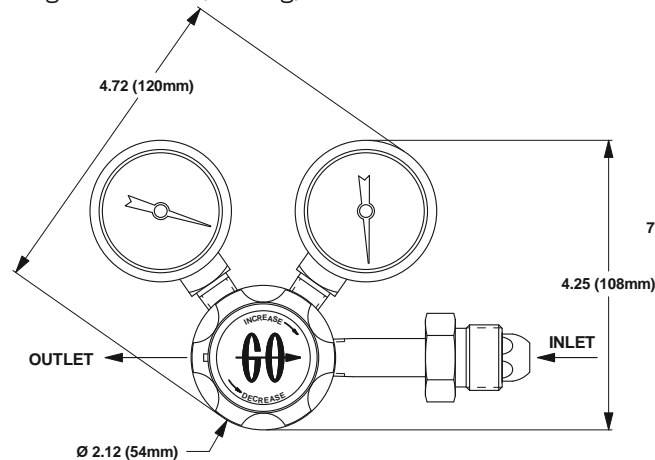
SEAT MATERIAL	MAXIMUM TEMPERATURE	MAXIMUM OPERATING INLET PRESSURE
Tefzel®	150° F (66° C)	@ 3600 psig (24.82 MPa)
PCTFE	175° F (80° C)	@ 3600 psig (24.82 MPa)
PEEK™	175° F (80° C)	@ 3600 psig (24.82 MPa)
Ceramic Filled PTFE	175° F (80° C)	@ 3600 psig (24.82 MPa)

Tefzel® is a registered trademark of the DuPont Company.
 PEEK™ is a trademark of Victrex PLC.

NOTE: Contact the factory for any additional requirements.

Outline & Mounting Dimensions

Weight = 3.5 lbs (1.59 kg)



CYL-3 Series

High Pressure Economy Brass Cylinder Regulator



(Shown with optional outlet valve)

The CYL-3 Series is an economical brass high pressure regulator, designed to accept inlet pressures up to 3600 psig and deliver outlet pressures from 0–100 psig up to 0–2000 psig. This single-stage brass regulator is perfectly suited for cylinder usage with non-corrosive gases. Good regulation characteristics are provided by a carefully engineered piston sensor. Ease of outlet pressure adjustment is provided by the T-handle, which is offered as standard.

Features & Specifications

- Inlet pressures up to 3600 psig
- Control pressures from 0–100 psig up to 0–2000 psig
- Brass (alloy 360) construction
- Stainless steel poppet
- 20 micron inlet filter
- Bubble-tight shutoff
- CGA connection with integral inlet filter
- 2" diameter brass gauges
- Cv flow coefficients: 0.06 (standard), 0.2 (optional)
- Better than 25 Ra finish in diaphragm cavity
- Optional relief valves and outlet shutoff valves

pressure regulators

CYL-3 Series

To Order, contact your local Distributor Link below:
www.goreg.com/distributor/index.htm

Verify that your chosen part number is valid using the GO Wizards at
www.goreg.com/products/matrix/index.htm

How to Order

Standard items in bold

C3 - 2 F 1 G 1 3 A 1 *CGA Fitting* **0 0 0 1 A**

BODY MATERIAL

2 Brass

PORT CONFIGURATION

F Standard

For more port configurations, see page 20.

PROCESS PORT TYPES

(GAUGE PORT TYPE, IF SPECIFIED)

1 1/4" FNPT (1/4" FNPT gauge ports)

OUTPUT RANGE

G 0-100 psig

I 0-250 psig

J 0-500 psig

K 0-1000 psig

L 0-2000 psig

PISTON TYPE

1 Non-self-relieving

3 Self-relieving

OPTIONS

A EB33 (oxygen cleaning)

B EB5 cleaning

D Helium leak test

E Pressure test certificate

F Certificate of Conformity

G CMTR

GAUGES

1 Include gauges

2 Omit gauges

3 Customer-supplied, to be factory installed

CGA FITTINGS

Use '000' to omit CGA

Use 'CUS' for customer-supplied CGA, to be factory installed

CAP ASSEMBLY

1 Standard

4 Panel mount

8 Tamper-proof

A Low torque

Y Hand knob

SEAT MATERIAL

A Tefzel®

I PTFE

FLOW COEFFICIENT (Cv)

3 0.06

5 0.2

Maximum Temperature & Operating Inlet Pressures

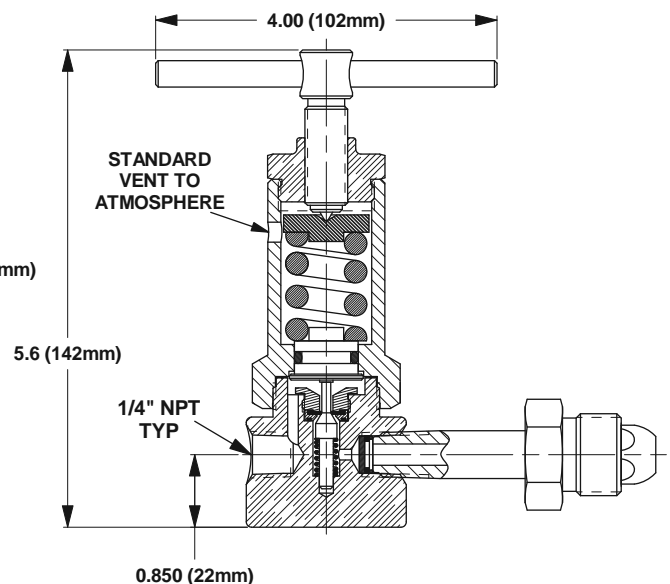
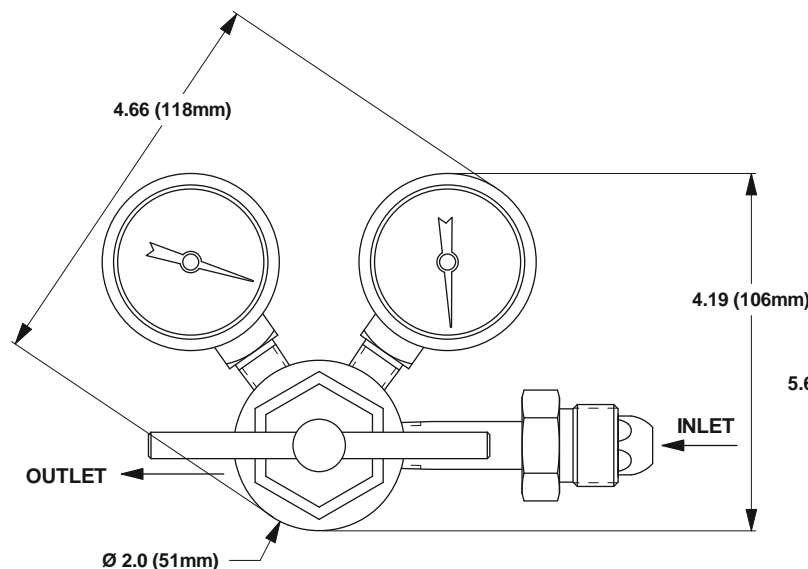
SEAT MATERIAL	MAXIMUM TEMPERATURE	MAXIMUM OPERATING INLET PRESSURE
Tefzel®	150° F (66° C)	@ 3600 psig (24.82 MPa)
High density PTFE	150° F (66° C)	@ 3600 psig (24.82 MPa)

NOTE: Contact the factory for any additional requirements.

Tefzel® is a registered trademark of the DuPont Company.

Outline & Mounting Dimensions

Weight = 2.74 lbs (1.22 kg)



CYL-20 Series

Corrosion-resistant Two-stage Pressure Reducing Regulator



Precision pressure control is now possible with the CYL-20 Series regulator. This two-stage regulator, constructed of 316L stainless steel and PTFE, has less than 0.01 percent outlet pressure change with varying inlet pressures and is designed for use in gas calibration systems and semiconductor materials processing.

With materials of only 316L stainless steel, PTFE and Tefzel®, this regulator is suitable for service in corrosive streams as well as non-corrosive streams with potential surface absorption problems. This regulator accepts inlet pressures up to 6000 psig and has bubble-tight shutoff. Operating temperature ranges may vary from -40° C up to +260° C and outlet pressure ranges of 0-10 psig up to 0-500 psig are easily adjustable by a fluted knob.

Features & Specifications

- 316L stainless steel, INCONEL®, PTFE & Tefzel® in contact with operating media only
- Stainless steel caps & adjusting screws
- Bubble-tight shutoff
- CGA fitting for cylinder connection
- 2" diameter 316 stainless steel gauges
- Maximum inlet pressure: 6000 psig
- Outlet pressure ranges of 0-10 psig, 0-25 psig, 0-50 psig, 0-100 psig, 0-250 psig and 0-500 psig
- PTFE lined INCONEL® diaphragm standard
- Cv flow coefficients: 0.025, 0.06, 0.20, 0.50
- Operating temperatures of one line: -40° F to +500° F (-40° C to +260° C)
- Outlet pressure change is 0.01 psig per 100 psig of inlet decay

Options

- Captured vent
- Shutoff valve
- 3/8" FNPT

pressure regulators

CYL-20 Series

To Order, contact your local Distributor Link below:
www.goreg.com/distributor/index.htm

Verify that your chosen part number is valid using the GO Wizards at
www.goreg.com/products/matrix/index.htm

How to Order

Standard items in bold

C2 - 1 F 1 C 1 1 1 1 1 CGA Fitting **0 0 0** **1 A 3 A 3 A**

BODY MATERIAL

- 1** 316L stainless steel, stainless steel diaphragm
- C** 316L stainless steel, INCONEL® diaphragm

PORT CONFIGURATION

- F** Standard
- For more port configurations, see page 19.

PROCESS PORT TYPES

(GAUGE PORT TYPE, IF SPECIFIED)

- 1** 1/4" FNPT (1/4" gauge ports)
- 4** 3/8" FNPT (1/4" gauge ports)

OUTPUT RANGE

- C** 0-10 psig
- D** 0-25 psig
- E** 0-50 psig
- G** 0-100 psig
- I** 0-250 psig
- J** 0-500 psig

DIAPHRAGM TYPE, 1ST STAGE

- 1** Standard diaphragm
- 8** Tefzel® ring/metal backing
- 7** Liquid service

DIAPHRAGM TYPE, 2ND STAGE

- 1** Standard diaphragm
- 3** Self-relieving
- 8** Tefzel® ring/metal backing
- 7** Liquid service

OPTIONS

- A** EB33 (oxygen cleaning)
 - B** EB5 cleaning
 - D** Helium leak test
 - E** Pressure test certificate
 - F** Certificate of Conformity
 - G** CMTR
- 2ND STAGE Cv FLOW**
- 3** 0.06
 - 5** 0.2
 - C** 0.025
 - H** 0.5
- 2ND STAGE SEAT MATERIAL**
- A** Tefzel®
 - B** Ceramic Filled PTFE
 - H** PCTFE
 - P** PEEK™, high temperature service (metal knob, standard)
 - Q** PEEK™, low temperature service, plastic knob

1ST STAGE Cv FLOW

- 3** 0.06
- 5** 0.2
- C** 0.025
- H** 0.5

1ST STAGE SEAT MATERIAL

- A** Tefzel®
- B** Ceramic Filled PTFE
- H** PCTFE
- Q** PEEK™

GAUGES

- 1** Include gauges
- 2** Omit gauges
- 3** Customer-supplied, to be factory installed

CGA FITTINGS

Use '000' to omit CGA
 Use 'CUS' for customer-supplied CGA, to be factory installed

CAP ASSEMBLY, 2ND STAGE

- 1** Standard
- 4** Panel mount
- 7** Captured vent, stainless steel
- 8** Tamper proof
- J** Captured vent, panel mount, stainless steel

CAP ASSEMBLY, 1ST STAGE

- 1** Tamper-proof
- 4** Tamper proof, panel mount
- 7** Tamper proof, captured vent, stainless steel
- J** Tamper proof, captured vent, panel mount, stainless steel

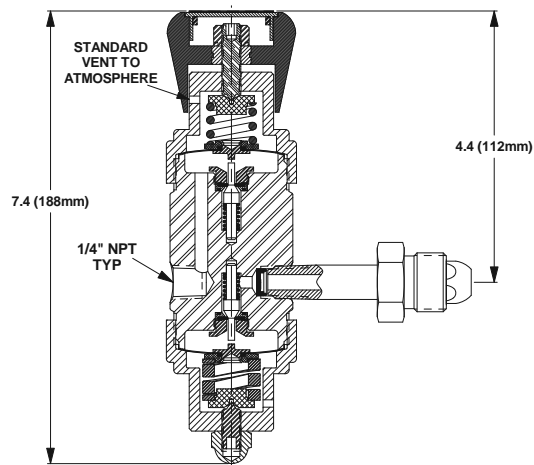
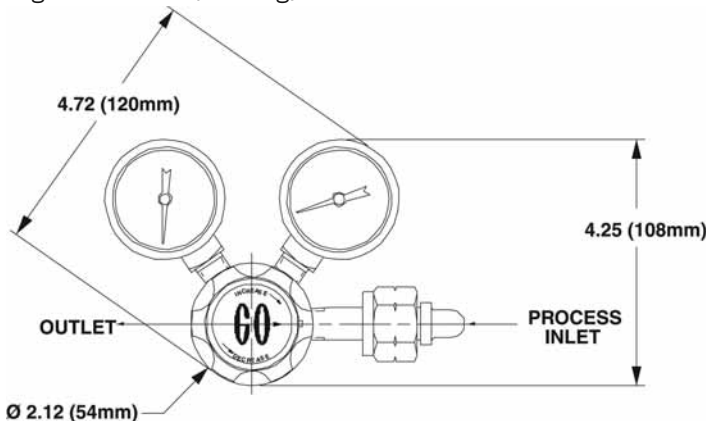
NOTE: Contact the factory for any additional requirements.

Maximum Temperature & Operating Inlet Pressures

SEAT MATERIAL	MAXIMUM TEMPERATURE	MAXIMUM OPERATING INLET PRESSURE
Tefzel®	150° F (66° C)	@ 3600 psig (24.82 MPa)
PCTFE	175° F (80° C)	@ 6000 psig (41.37 MPa)
PEEK™	500° F (260° C)	@ 3600 psig (24.82 MPa)
PEEK™	175° F (80° C)	@ 6000 psig (41.37 MPa)
Ceramic Filled PTFE	175° F (80° C)	@ 3600 psig (24.82 MPa)

Outline & Mounting Dimensions

Weight = 3.9 lbs (1.77 kg)



Tefzel® is a registered trademark of the DuPont Company.
 INCONEL® is a registered trademark of Special Metals Corporation.
 PEEK™ is a trademark of Victrex PLC.

CYL-21 Series

Corrosion-resistant Single Stage Cylinder Regulator



(Shown with optional outlet valve)

The CYL-21 Series is a compact cylinder regulator based on the time proven design of the PR-1 Series single-stage stainless steel line regulator and is suitable for most corrosive gas cylinder applications. While normally used for low and moderate flow service, optional high flow orifices are available.

The standard unit is equipped with CGA connector, integral inlet filter, inlet and outlet pressure gauges and may be ordered with extra inlet or outlet ports for inlet purging, outlet relief valves or other accessory items. When used in service with toxic or explosive gases, we recommend the installation of a captured vent option. This option is a true captured vent cap and not merely a standard cap with a vent port. It comes complete with a CGA fitting and 2" diameter gauges.

Features & Specifications

- 316L stainless steel construction (standard), MONEL® optional
- Inlet pressures up to 6000 psig
- 20 micron inlet filter
- Bubble-tight shutoff
- CGA inlet fitting
- 2" diameter 316 stainless steel gauges
- Outlet pressure ranges 0–10 psig, 0–25 psig, 0–50 psig, 0–100 psig, 0–250 psig, 0–500 psig, and 0–750 psig
- Optional Cv flow coefficients: 0.025, 0.06, 0.20, 0.50

pressure regulators

CYL-21 Series

To Order, contact your local Distributor Link below:
www.goreg.com/distributor/index.htm

Verify that your chosen part number is valid using the GO Wizards at
www.goreg.com/products/matrix/index.htm

How to Order

Standard items in bold

C1 - 1 F 1 1 A 3 C 1 CGA Fitting **0 0 0 1 A**

BODY MATERIAL

- 1** 316L stainless steel, stainless steel diaphragm
- 4** MONEL®, INCONEL® diaphragm
- C** **316L stainless steel, INCONEL® diaphragm**

PORT CONFIGURATION

- F** **Standard**
- For more port configurations, see page 20.

PROCESS PORT TYPES

(GAUGE PORT TYPE, IF SPECIFIED)

- 1** 1/4" FNPT (1/4" FNPT gauge ports)
- 4** 3/8" FNPT (1/4" FNPT gauge ports)

DIAPHRAGM TYPE

- 1** **Standard diaphragm**
- 3** Self-relieving
- 8** Tefzel® ring/metal backing

SEAT MATERIAL

- A** **Tefzel®**
- B** Ceramic Filled PTFE
- H** PCTFE
- Q** PEEK™

OPTIONS

- A** EB33 (oxygen cleaning)
- B** EB5 cleaning
- D** Helium leak test
- E** Pressure test certificate
- F** Certificate of Conformity
- G** CMTR

GAUGES

- 1** Include gauges
- 2** Omit gauges
- 3** Customer-supplied, to be factory installed

CGA FITTINGS

- Use '000' to omit CGA
- Use 'CUS' for customer-supplied CGA, to be factory installed

CAP ASSEMBLY

- 1** **Standard**
- 4** Panel mount
- 7** Captured vent, stainless steel
- 8** Tamper proof
- J** Captured vent, panel mount, stainless steel

OUTPUT RANGE

- C** 0-10 psig
- D** 0-25 psig
- E** 0-50 psig
- G** 0-100 psig
- I** 0-250 psig
- J** 0-500 psig
- W** 0-750 psig

FLOW COEFFICIENT (Cv)

- 3** **0.06**
- 5** 0.2
- C** 0.025
- H** 0.5

Maximum Temperature & Operating Inlet Pressures

SEAT MATERIAL	MAXIMUM TEMPERATURE*		MAXIMUM OPERATING INLET PRESSURE
Tefzel®	150° F (66° C)	@	3600 psig (24.82 MPa)
PCTFE	175° F (80° C)	@	6000 psig (41.37 MPa)
PEEK™	500° F (260° C)	@	3600 psig (24.82 MPa)
PEEK™	175° F (80° C)	@	6000 psig (41.37 MPa)
Ceramic Filled PTFE	175° F (80° C)	@	3600 psig (24.82 MPa)

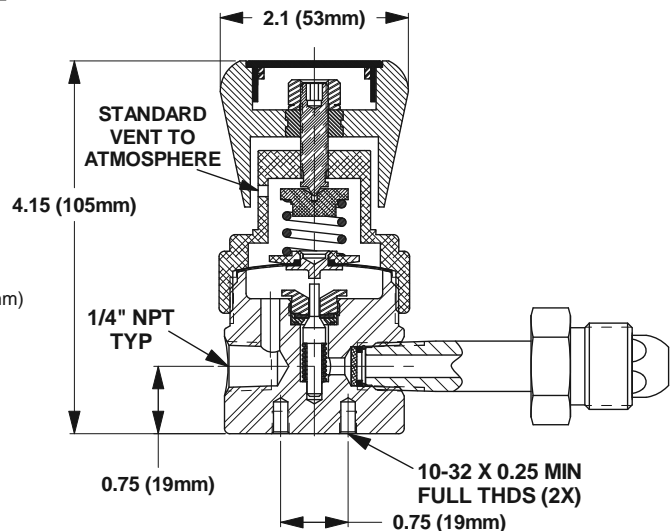
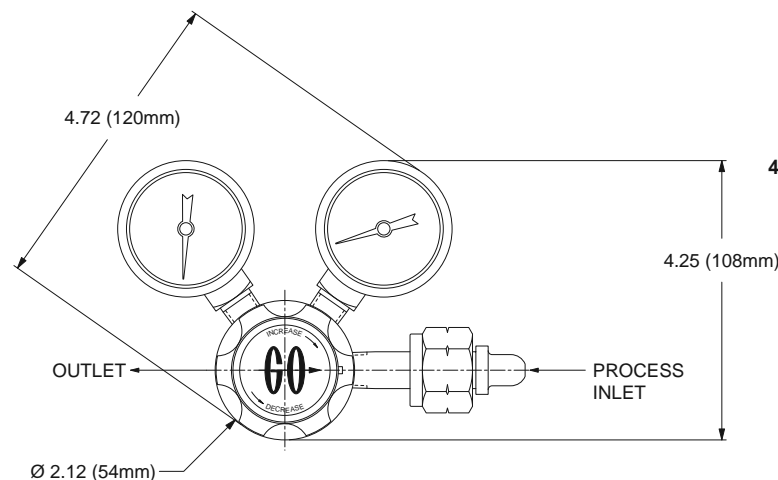
* Temperatures in excess of 175° F (80° C) require the use of a metal knob or the tamper-proof option.

NOTE: Contact the factory for any additional requirements.

MONEL® is a registered trademark of Special Metals Corporation.
 Tefzel® is a registered trademark of the DuPont Company.
 PEEK™ is a trademark of Victrex PLC.

Outline & Mounting Dimensions

Weight = 1.9 lbs (0.86 kg)



COM-1 Series

Crossover Manifold Regulator System



The COM-1 Series crossover manifold system consists of two PR-1-type stainless steel regulators (PR-2-type brass, optional) mounted on a panel-mounting-type bracket shown with optional gauges. The primary regulator, supplied with a tamper-proof nut, is set at an outlet operating pressure at least 15 psig higher than the secondary regulator (supplied with a standard adjusting knob). As the primary supply source depletes and the operating outlet pressure of the primary regulator falls below the preset operating pressure of the secondary regulator, the secondary regulator takes over. Once this occurs, the secondary regulator can be manually adjusted 1/8-turn clockwise, the secondary regulator is now the primary and the depleted supply source can be replaced.

Features & Specifications

- Inlet pressure to 6000 psig
- Outlet pressures range: 0–10 psig, 0–25 psig, 0–50 psig, 0–100 psig, 0–250 psig, or 0–500 psig
- Changeover pressures: 15–250 psig
- Cv flow coefficients: 0.025, 0.06, 0.2, 0.5
- All connections: 1/4" FNPT
- 20 micron inlet filter
- 316L stainless steel construction; Brass and MONEL® optional
- Seat materials of PCTFE, Tefzel®, PEEK™
- Bubble-tight shutoff
- 2" diameter gauges (optional)
- Operating temperatures –40° F to +500° F (–40° C to +260° C)
- Bracket mounted for easy installation
- PTFE lined INCONEL® diaphragm standard

pressure regulators

COM-1 Series

To Order, contact your local Distributor Link below:
www.goreg.com/distributor/index.htm

Verify that your chosen part number is valid using the GO Wizards at
www.goreg.com/products/matrix/index.htm

How to Order

Standard items in bold

COM1 - 1 A 3 C 1 A

BODY MATERIAL

- 1 316L stainless steel, stainless steel diaphragm
- 2 Brass, stainless steel diaphragm
- 4 MONEL®, INCONEL® diaphragm
- C 316L stainless steel, INCONEL® diaphragm**

SEAT MATERIAL

- A Tefzel®**
- B Ceramic Filled PTFE
- H PCTFE
- Q PEEK™

OPTIONS

- A** EB33 (oxygen cleaning)
- B** EB5 cleaning
- D** Helium leak test
- E** Pressure test certificate
- F** Certificate of Conformity
- G** CMTR

GAUGES

- 1** Include gauges
- 2** Omit gauges
- 3** Customer-supplied, to be factory installed

OUTPUT RANGE

- C** 0-10 psig
- D** 0-25 psig
- E** 0-50 psig
- G** 0-100 psig
- I** 0-250 psig
- J** 0-500 psig

FLOW COEFFICIENT (Cv)

- 3** 0.06
- 5** 0.2
- C** 0.025
- H** 0.5

Maximum Temperature & Operating Inlet Pressures

SEAT MATERIAL	MAXIMUM TEMPERATURE		MAXIMUM OPERATING INLET PRESSURE
Tefzel®	150° F (66° C)	@	3600 psig (24.82 MPa)
PCTFE	175° F (80° C)	@	6000 psig (41.37 MPa)
PEEK™	500° F (260° C)	@	3600 psig (24.82 MPa)
PEEK™	175° F (80° C)	@	6000 psig (41.37 MPa)
Ceramic Filled PTFE	175° F (80° C)	@	3600 psig (24.82 MPa)

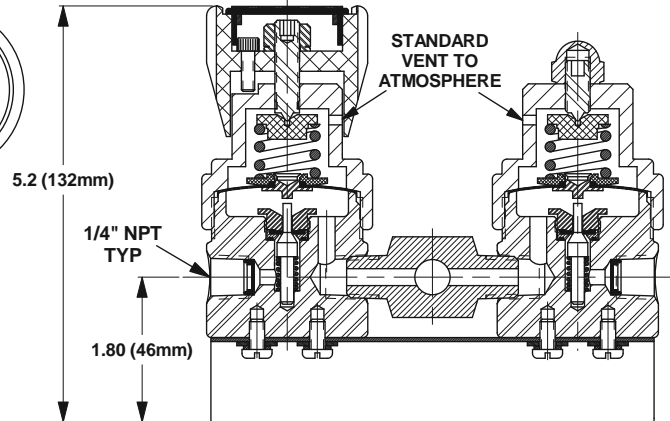
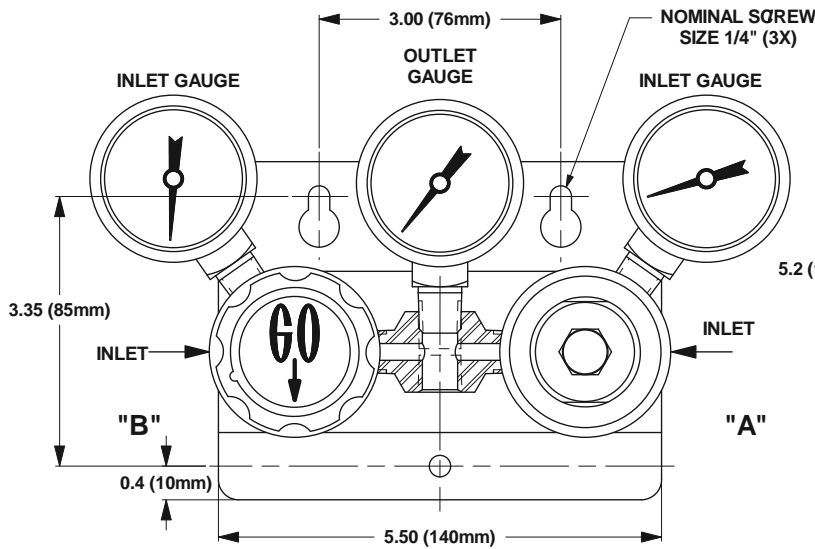
Brass

SEAT MATERIAL	MAXIMUM TEMPERATURE		MAXIMUM OPERATING INLET PRESSURE
Tefzel®	150° F (66° C)	@	3600 psig (24.82 MPa)
PCTFE	175° F (80° C)	@	3600 psig (41.37 MPa)
PEEK™	175° F (80° C)	@	3600 psig (41.37 MPa)
Ceramic Filled PTFE	175° F (80° C)	@	3600 psig (24.82 MPa)

NOTE: Contact the factory for any additional requirements.

Outline & Mounting Dimensions

Weight = 5.2 lbs (2.36 kg)



MONEL® is a registered trademark of Special Metals Corporation.
 Tefzel® is a registered trademark of the DuPont Company.
 PEEK™ is a trademark of Victrex PLC.

COM-2B Series

Crossover Manifold Regulator System



The COM-2B Series crossover manifold system uses two PR-1-type stainless steel regulators (PR-2-type brass, optional) built in a single body functioning as the changeover regulators with the common outlet port connected to a single line regulator to provide constant unchanging supply pressure unaffected by supply source depletion. All are mounted on a bracket complete with gauges. As the primary supply source depletes and the operating outlet pressure of the primary regulator falls below the preset changeover pressure of the secondary regulator, the secondary regulator takes over. Once this occurs, the primary regulator can be manually adjusted $\frac{1}{8}$ -turn counterclockwise, the secondary regulator is now the primary and the depleted supply source can be replaced.

Features & Specifications

- Bracket-mounted for easy installation
- Allows changing of cylinders during operation*
- Available in stainless steel, brass and MONEL®
- Steady outlet pressure during cylinder depletion
- 0.01% pressure control accuracy
- Inlet pressures to 6000 psig
- Outlet pressure ranges: 0–10 psig, 0–25 psig, 0–50 psig, 0–100 psig or 0–250 psig
- Changeover pressures: 15–250 psig
- Cv flow coefficients: 0.025, 0.06, 0.2, 0.5
- All connections: $\frac{1}{4}$ " FNPT
- 20 micron inlet filters
- 316L stainless steel construction
- PTFE-lined INCONEL® diaphragm, standard
- Operating temperatures: -40° F to $+500^{\circ}$ F (-40° C to $+260^{\circ}$ C)

* Installation of shut off valves in each inlet port is recommended for complete isolation during change out of cylinders.

pressure regulators

COM-2B Series

To Order, contact your local Distributor Link below:
www.goreg.com/distributor/index.htm

Verify that your chosen part number is valid using the GO Wizards at
www.goreg.com/products/matrix/index.htm

How to Order

Standard items in bold

COM2 - 1 A 3 B J 1 1 C L A

BODY MATERIAL

- 1 316L stainless steel, stainless steel diaphragm
- 2 Brass, stainless steel diaphragm
- 4 MONEL®, INCONEL® diaphragm
- C 316L stainless steel, INCONEL® diaphragm, standard**

SEAT MATERIAL

- A Tefzel®**
- B Ceramic Filled PTFE
- H PCTFE
- Q PEEK™

FLOW COEFFICIENT (Cv)

- 3 0.06**
- 5 0.2
- C 0.025
- H 0.5

PANEL TYPE

- B Bracket**

COMBO REGULATOR SET POINT

- J 150 psig over output regulator range**

COMBO REGULATOR PRESSURE GAUGES

- 1 With gauges**
- 2 Less gauges
- 3 Customer-supplied, to be factory installed

OPTIONS

- A** EB33 (oxygen cleaning)
- B** EB5 cleaning
- D** Helium leak test
- E** Pressure test certificate
- F** Certificate of Conformity
- G** CMTR

OUTPUT REGULATOR PORT CONFIGURATION

- A** A style
- B** B style
- C** C style
- D** D style
- E** E style
- G** G style
- L L style**
- Q** Q style

OUTPUT REGULATOR OUTPUT RANGE

- C** 0-10 psig
- D** 0-25 psig
- E** 0-50 psig
- G** 0-100 psig
- I** 0-250 psig

OUTPUT REGULATOR PRESSURE GAUGES

- 1 With gauges**
- 2 Less gauges
- 3 Customer-supplied, to be factory installed

Maximum Temperature & Operating Inlet Pressures

Stainless steel

SEAT MATERIAL	MAXIMUM TEMPERATURE*	MAXIMUM OPERATING INLET PRESSURE
Tefzel®	150° F (66° C)	@ 3600 psig (24.82 MPa)
PCTFE	175° F (80° C)	@ 6000 psig (41.37 MPa)
PEEK™	500° F (260° C)	@ 3600 psig (24.82 MPa)
PEEK™	175° F (80° C)	@ 6000 psig (41.37 MPa)
Ceramic Filled PTFE	175° F (80° C)	@ 3600 psig (41.37 MPa)

* Temperatures in excess of 175° F (80° C) require the use of a metal knob or the tamper-proof option.

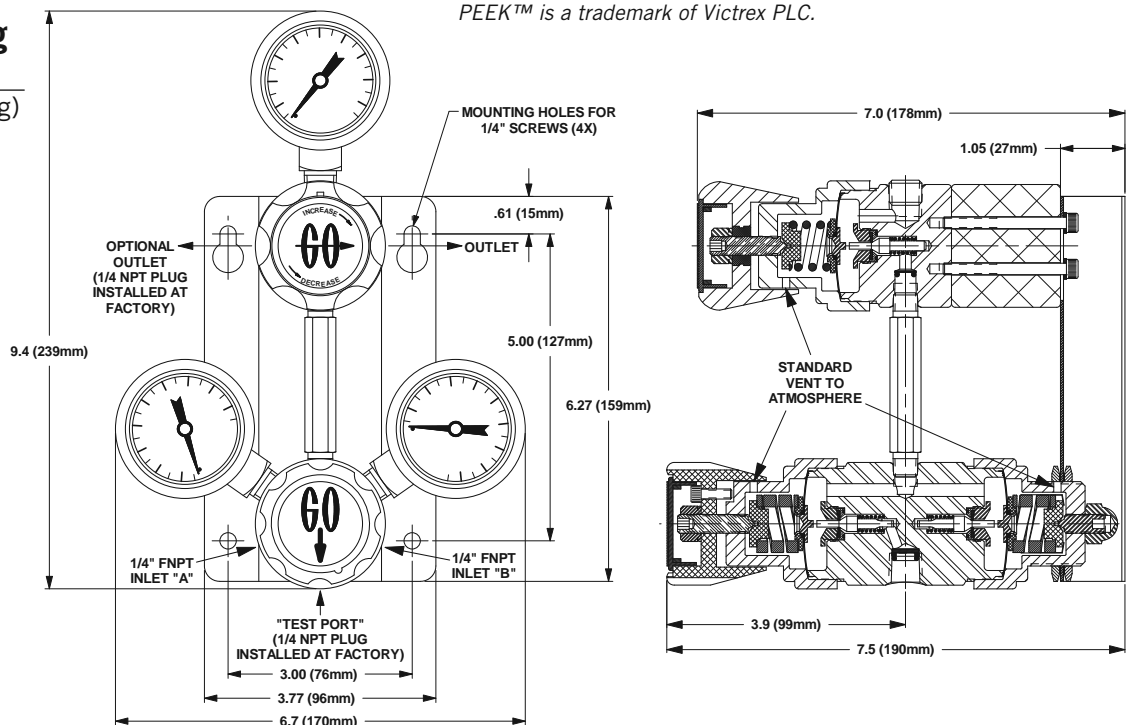
Brass

SEAT MATERIAL	MAXIMUM TEMPERATURE	MAXIMUM OPERATING INLET PRESSURE
Tefzel®	150° F (66° C)	@ 3600 psig (24.82 MPa)
PCTFE (formerly Kel-F® 81)	175° F (80° C)	@ 3600 psig (41.37 MPa)
PEEK™	175° F (80° C)	@ 3600 psig (41.37 MPa)
Ceramic Filled PTFE	175° F (80° C)	@ 3600 psig (41.37 MPa)

MONEL® is a registered trademark of Special Metals Corporation.
 Tefzel® is a registered trademark of the tef Company.
 PEEK™ is a trademark of Victrex PLC.

Outline & Mounting Dimensions

Weight = 7.3 lbs (3.31 kg)



NOTE: Contact the factory for any additional requirements.

COM-2P Series

Crossover Manifold Regulator System



The COM-2P employs two discrete single stage PR-1-type regulators built into a single body. These regulators serve as the primary and secondary changeover regulators with the common outlet port connected to a single PR-1 Series regulator. This allows for the non-stop delivery of gas from bottles with only a 0.01% change in outlet pressure as the inlet pressure varies. The hardware comes mounted in an attractive 300 series stainless steel panel that is suitable for surface mounting near the bottles. Labels are permanently silk-screened on the face of the panel for easy identification of process ports and gauges. The unit comes complete with pressure gauges and shutoff valves. Suitable for gases and liquids.

Features & Specifications

- Complete panel system including gauges and vent valves for easy installation
- Allows changing of cylinders during operation*
- Available in both stainless steel and brass (other materials also available)
- Steady outlet pressure during cylinder depletion
- 0.01% pressure control accuracy
- Inlet pressures to 6000 psig
- Outlet pressure ranges 0-10 psig, 0-25 psig, 0-50 psig, 0-100 psig or 0-250 psig
- Changeover pressures: 15-250 psig
- Cv flow coefficients 0.025, 0.06, 0.2, 0.5
- All connections: 1/4" FNPT
- 20 micron sintered inlet filters
- PTFE-lined INCONEL® diaphragm, standard
- Operating temperatures: -40° F to +500° F (-40° C to +260° C)

* Installation of shut off valves in each inlet port is recommended for complete isolation during change out of cylinders.

pressure regulators

COM-2P Series

To Order, contact your local Distributor Link below:
www.goreg.com/distributor/index.htm

Verify that your chosen part number is valid using the GO Wizards at
www.goreg.com/products/matrix/index.htm

How to Order

Standard items in bold

COM2 - 1 A P P J 1 1 C B B

BODY MATERIAL

- 1 316L stainless steel, stainless steel diaphragm
- 2 Brass, stainless steel diaphragm
- 4 MONEL®, INCONEL® diaphragm
- C 316L stainless steel, INCONEL® diaphragm, standard**

SEAT MATERIAL

- A Tefzel®**
- B Ceramic Filled PTFE
- H PCTFE
- Q PEEK™

FLOW COEFFICIENT (Cv)

- 3 0.06**
- 5 0.2
- C 0.025
- H 0.5

PANEL TYPE

- P Deluxe panel**

OPTIONS

- B** EB5
- D** Helium leak test
- E** Pressure test certificate
- F** Certificate of Conformity
- G** CMTR

OUTPUT REGULATOR PORT CONFIGURATION

- B B style**
- L L style
- E E style

OUTPUT REGULATOR OUTPUT RANGE

- C** 0-10 psig
- D** 0-25 psig
- E** 0-50 psig
- G** 0-100 psig
- I** 0-250 psig

OUTPUT REGULATOR PRESSURE GAUGES

- 1 With gauges**
- 3** Customer-supplied, to be factory installed

COMBO REGULATOR PRESSURE GAUGES

- 1 With gauges**
- 3** Customer-supplied, to be factory installed

COMBO REGULATOR SET POINT

- J 150 psig over output regulator range**

Maximum Temperature & Operating Inlet Pressures

SEAT MATERIAL	MAXIMUM TEMPERATURE*	MAXIMUM OPERATING INLET PRESSURE
Tefzel®	150° F (66° C)	@ 3600 psig (24.82 MPa)
PCTFE	175° F (80° C)	@ 6000 psig (41.37 MPa)
PEEK™	500° F (260° C)	@ 3600 psig (24.82 MPa)
PEEK™	175° F (80° C)	@ 6000 psig (41.37 MPa)
Ceramic Filled PTFE	175° F (80° C)	@ 3600 psig (41.37 MPa)

* Temperatures in excess of 175° F (80° C) require the use of a metal knob or the tamper-proof option.

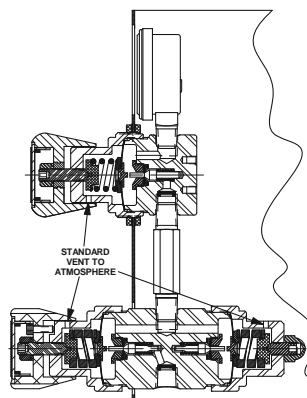
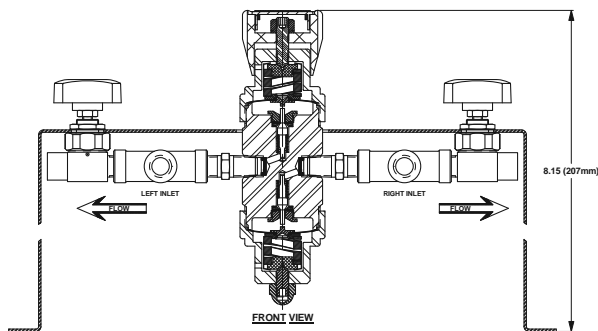
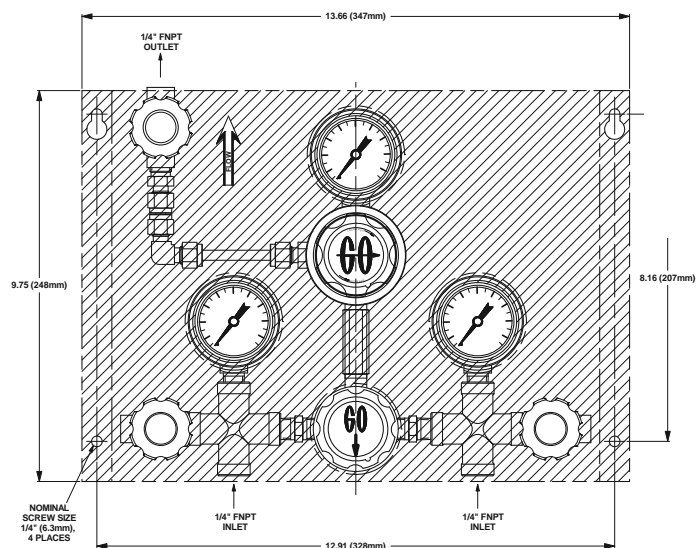
Brass

SEAT MATERIAL	MAXIMUM TEMPERATURE	MAXIMUM OPERATING INLET PRESSURE
Tefzel®	150° F (66° C)	@ 3600 psig (24.82 MPa)
PCTFE	175° F (80° C)	@ 3600 psig (41.37 MPa)
PEEK™	175° F (80° C)	@ 3600 psig (41.37 MPa)
Ceramic Filled PTFE	175° F (80° C)	@ 3600 psig (41.37 MPa)

NOTE: Contact the factory for any additional requirements.

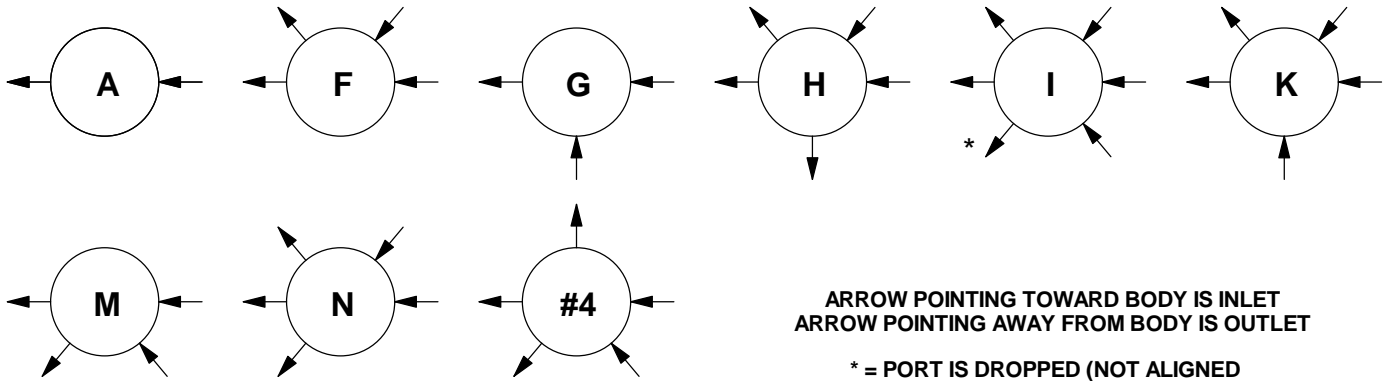
Outline & Mounting Dimensions

Weight = 13.4 lbs (6.09 kg)



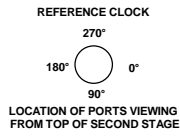
Tefzel® is a registered trademark of the DuPont Company.
 MONEL® is a registered trademark of Special Metals Corporation.
 PEEK™ is a trademark of Victrex PLC.

Porting Configurations for Dual Stage Pressure Regulators

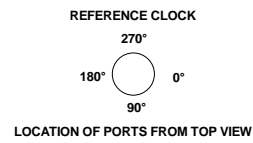
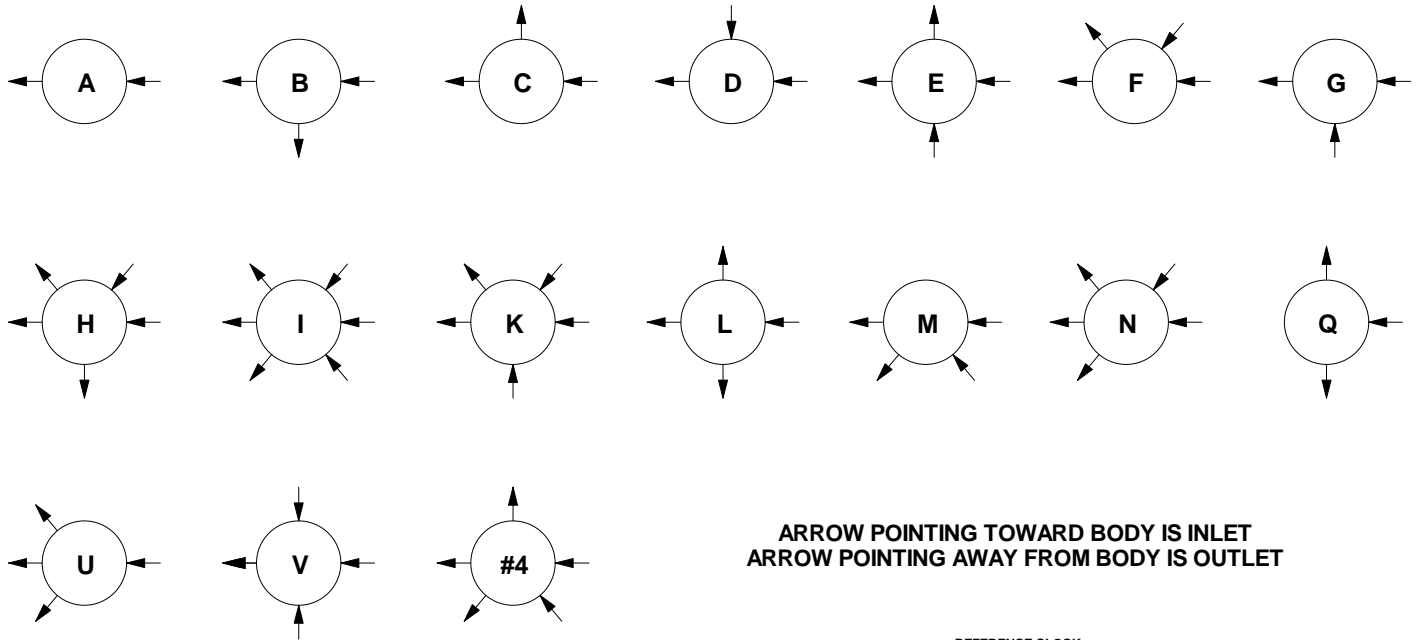


ARROW POINTING TOWARD BODY IS INLET
ARROW POINTING AWAY FROM BODY IS OUTLET

* = PORT IS DROPPED (NOT ALIGNED WITH OTHER PORTS)



Porting Configurations for Single Stage Pressure Regulators



GO REGULATOR, INC.

The Small Bore Instrumentation Specialists



We specialize in small bore instrumentation products up to 2" that deliver benchmark performance quality & safety; provide the broadest array of superior alloy offerings in the market; decades of proven success in a wide range of industries; a roster of "who's who" customers & projects globally; original "Best Solution" engineering & designs; and are focused on continuous improvement in all aspects of our business.

Proudly Distributed By:



CRANE INSTRUMENTATION &
SAMPLING Inc.
405 Centura Ct.
Spartanburg, SC 29305, USA
Tel: 1-864-574-7966
PO Box 4866, Spartanburg, SC
29305-4866 USA

Crane Co., and its subsidiaries cannot accept responsibility for possible errors in catalogues, brochures, other printed materials, and website information. Crane Co. reserves the right to alter its products without notice, including products already on order provided that such alteration can be made without changes being necessary in specifications already agreed. All trademarks in this material are the property of the Crane Co. or its subsidiaries. The Crane and Crane brands logotype (CENTER LINE®, COMPAC-NOZ®, CRANE®, DEPA® & ELRO®, DOPAK®, DUO-CHEK®, FLOWSEAL®, GYROLOK®, GO REGULATOR®, HOKE®, JENKINS®, KROMBACH®, NOZ-CHEK®, PACIFIC VALVES®, RESISTOFLEX®, REVO®, SAUNDERS®, STOCKHAM®, TEXAS SAMPLING®, TRIANGLE®, UNI-CHEK®, VALVES®, WTA®, and XOMOX®) are registered trademarks of Crane Co. All rights reserved.