



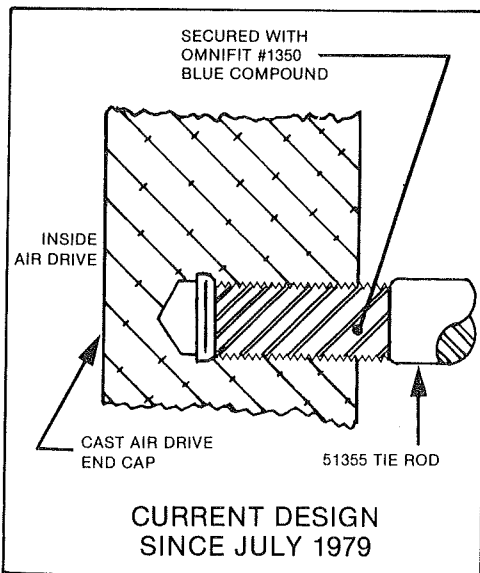
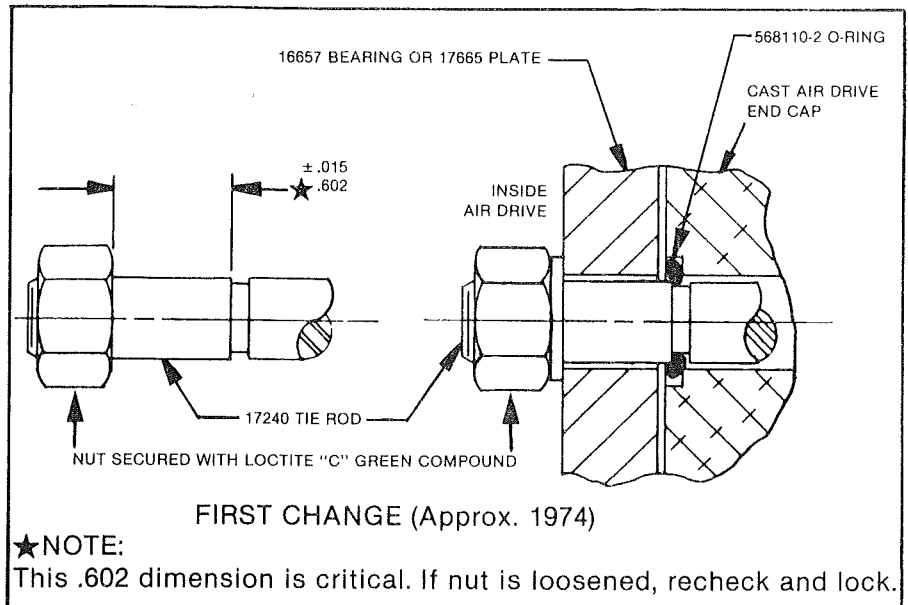
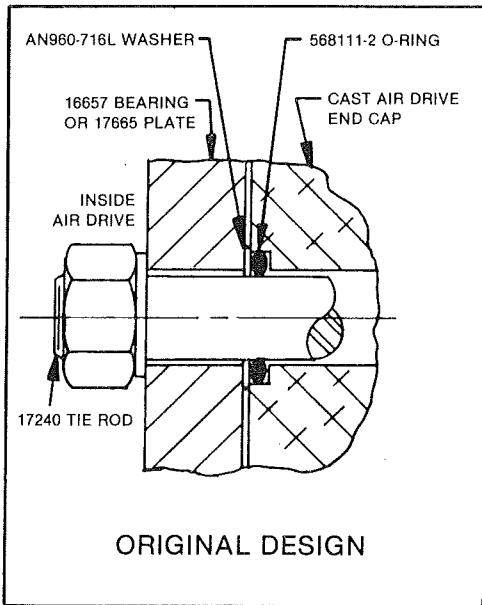
SEAL KIT INSTRUCTION SHEET

SUBJECT:

STATIC SEAL SYSTEM FOR THE INSIDE END OF TIE RODS USED TO HOLD GAS BARREL TO AIR CAP ON 5-3/4" DRIVE GAS BOOSTERS

DESCRIPTION:

Since the introduction of the product line in the 1960's, there have been two changes as illustrated below. There are many units of all ages still in use and parts are stocked for all.



www.haskel.com

- REFERENCES:**
- 17326 29472
 - 29255 51583
 - 29343